

Service Contract

Slag Detection System (SDS) – Iron & Steel Application



LAND
AMETEK[®]
PROCESS & ANALYTICAL INSTRUMENTS

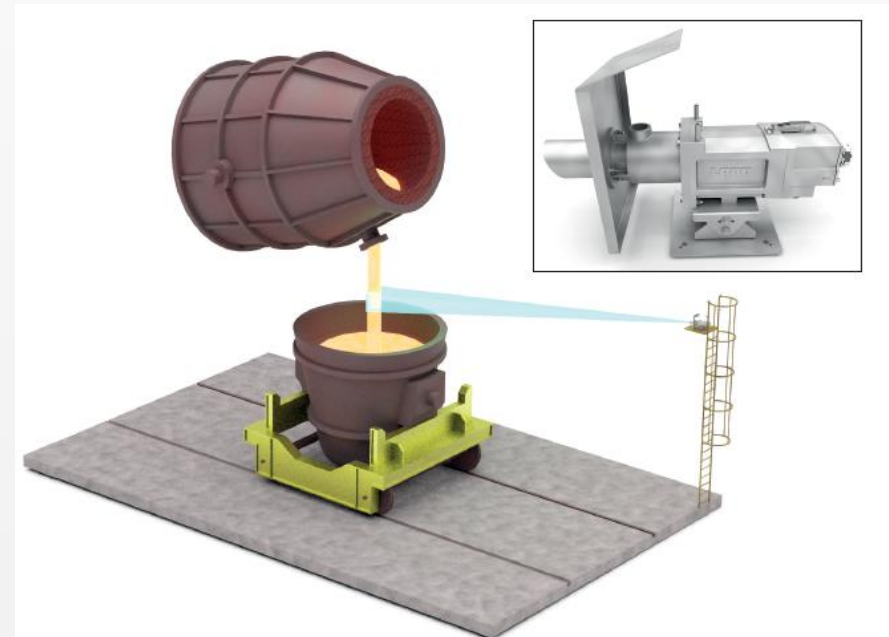
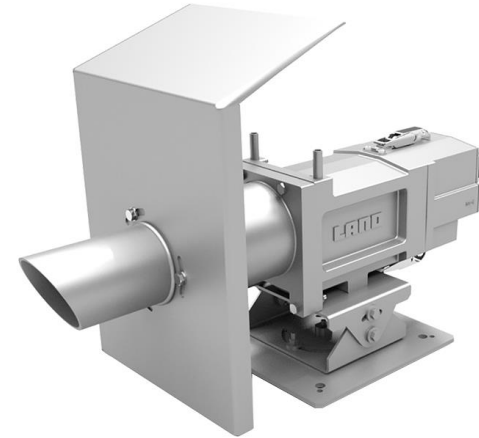


QUALITY CUSTOMER SOLUTIONS



Why is slag detection important?

- Slag Content Reduction
- Steel Quality Improvements
- Maintenance Reduction on BOF/EAF and AOD Vessel
- Cost Saving Improvements
- Accurate Detection of Steel/Slag Independent of Charge Weight
- Operation and Alerting Automation Independent of Operator





A Slag Detection System Service Contract will...

- Protect your Investment.
- Guarantee your Instrument's Operation and Performance to the Published Specification.
- Certify the Accuracy of the Instrument.
- Ensure Continuity of your Performance Improvements.
 - *Improve steel quality, reduce vessel maintenance, save costs, improve detection accuracy, ...*
- Ensure the Quality of your Steel Production.
- Ensure Safe Operation.

PUTTING IT INTO PERSPECTIVE

SDS Installation

25% Reduction in Slag Levels

Over £15,000 saved in Aluminium additions for every 50,000 tons of steel produced by reducing slag height by 25mm

= 1 week Production

SDS Service Contact

Annual Service starting from

£2,000.00

= 9 hrs Production





Service Contract

Slag Detection System – Iron & Steel Application



Additional Benefits...

- Backed up by our accredited (ISO 17025) International laboratories.
- Approved BS EN ISO 9001:2008 Quality Management System.
- Offer repair, service and calibration to meet published specification.
- Offer service exchange to replace faulty equipment as part of planned maintenance.
- Priority breakdown assistance minimising down time.
- Traceable calibration reports and certificates of conformity.
- Planned maintenance at a frequency to meet your needs and requirements.
- Factory trained engineers.
- Continued operator training and support.

AMETEK Land Global Services

... your choice for professional service and support.

... assuring you of our very best service and support at all times.

More information available at www.ametek-land.com/services





AMECARE

PERFORMANCE SERVICES

AMETEK Land's AMECare Performance Services ensure peak performance and maximum return on investment over the life of your equipment.

We will deliver this by:

- Proactively maintaining your equipment to maximize availability
- Optimizing solutions to meet your unique applications
- Enhancing user skills by providing access to product and application experts

AMETEK Land's global service network provides unparalleled after-sales services to ensure you get the best performance and value from your AMETEK Land products. Our dedicated service centre teams and on-site engineers are trained to deliver the highest standard of commissioning, maintenance and after sales support.

