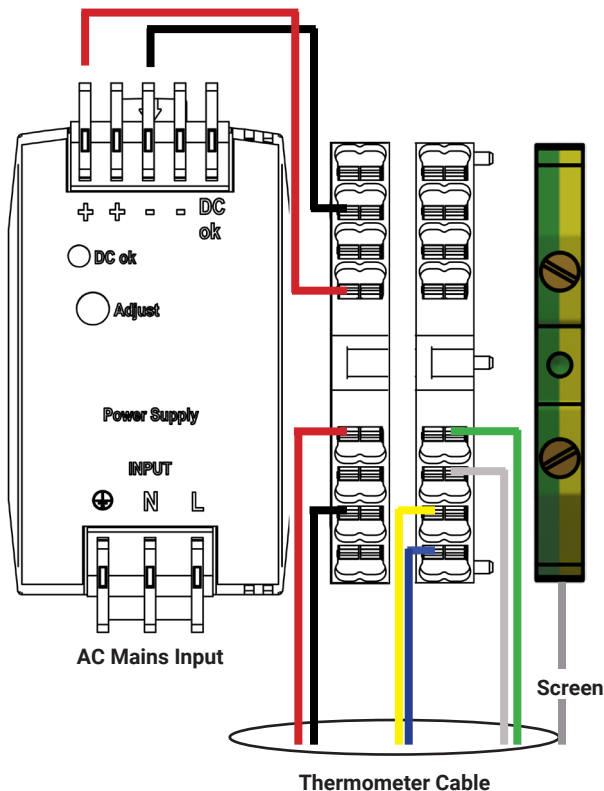


## DPU-UI DIN Rail Power Supply Quick-Connection Guide

Publication No. 817077



### Connections for UNO thermometer

Cable Colour	Function
Yellow (B)	4 to 20 mA linear temperature signal drive
Blue (A)	4 to 20 mA linear temperature signal return
White (C)	CMD (Command) Input
Screen	Screen
Red	24 - 28 V dc adjustable
Black	0 V dc
Green (D)	CMD (Command) input
	Readout
	Command
Recommended output load resistance:	100 Ω
Maximum output load resistance:	400 Ω
CMD (Command) input:	Voltage-free switch closure Switch open = PEAK PICK Switch closed = TRACK (or RESET)
<b>NOTE</b>	
1. The screen is connected to the thermometer case. The case must be grounded at the installation using your preferred method.	
2. When used with UNO or UNO+, the Adjust screw must be turned fully to the right so that the power supply provides 28 Vdc.	

### AC Input

Voltage: 100 to 240 V, 47 to 63 Hz  
Max current: 0.6 A  
Internal fuse, not replaceable  
Refer to ML30.100 data sheet (supplied) for full details

### CONTACT US

WEB: [www.ametek-land.com](http://www.ametek-land.com)

EMAIL: [land.enquiry@ametek.com](mailto:land.enquiry@ametek.com)

We are fully committed to Quality Assurance. See all our accreditations at [AMETEK-LAND.COM/QUALITY](http://AMETEK-LAND.COM/QUALITY)